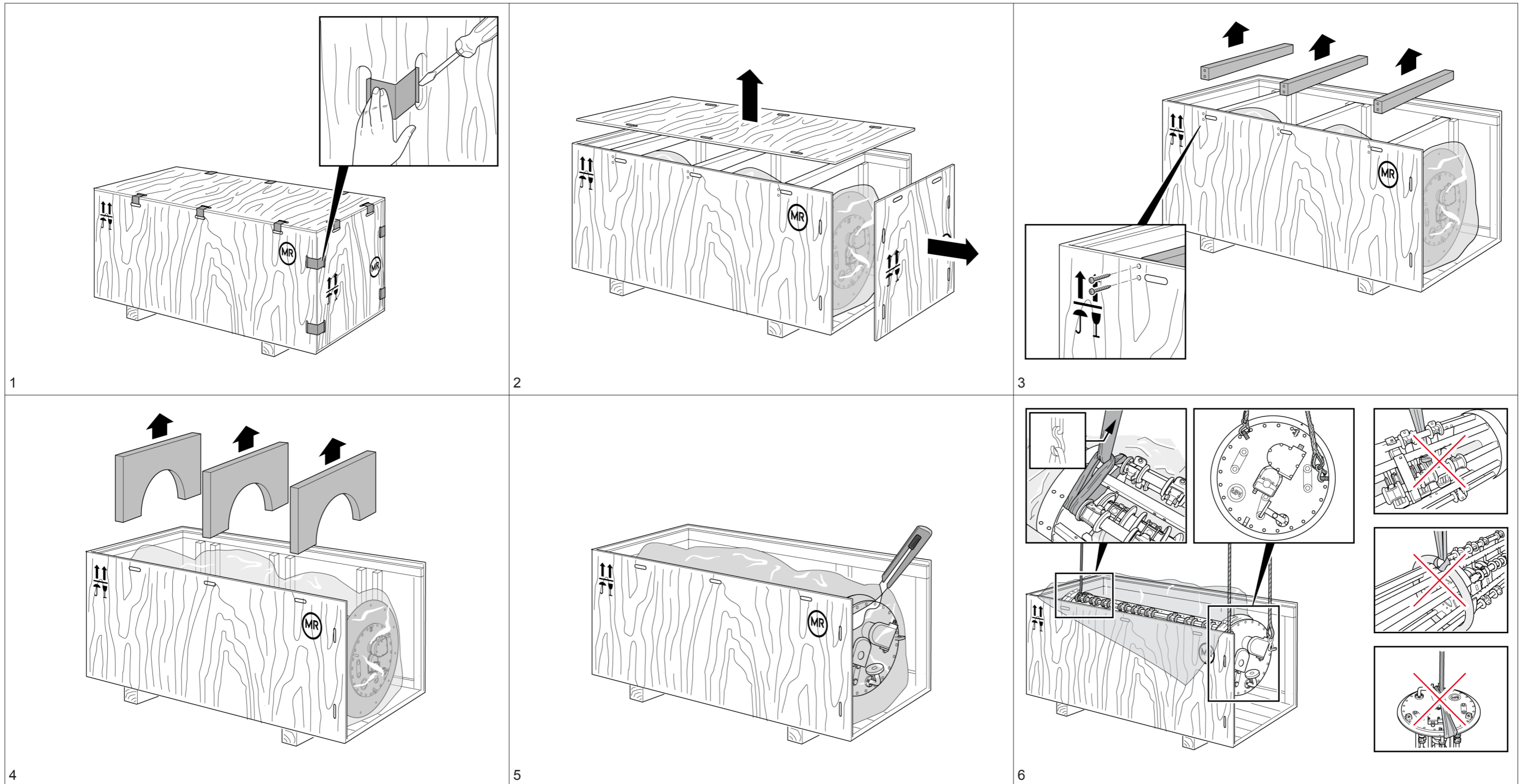


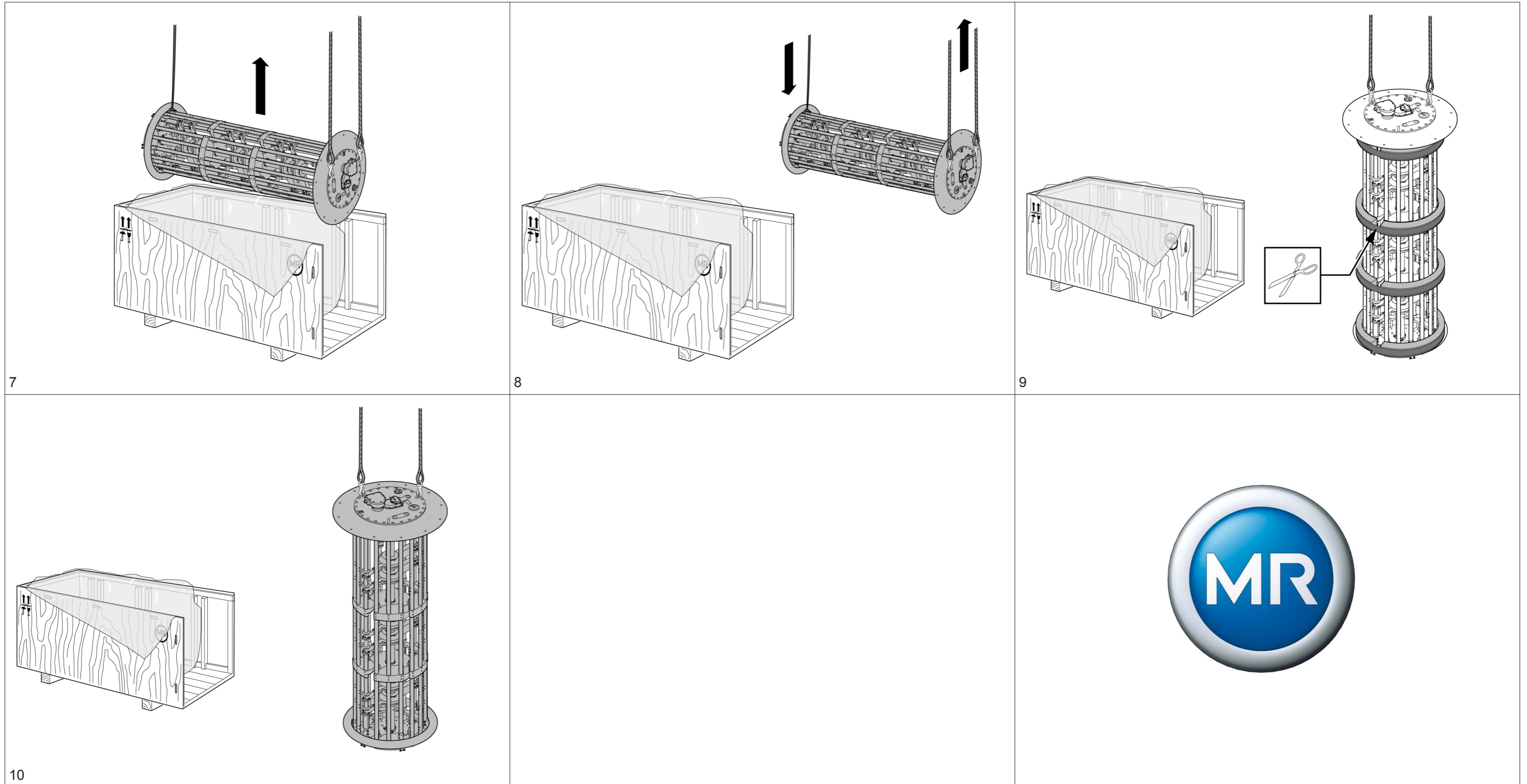
# Unpacking instructions DEETAP® DU



Unpacking instructions DEETAP® DU • 3245993/00 EN • F0302000

Dissemination and reproduction of this document and use and disclosure of its content are strictly prohibited unless expressly permitted. Infringements will result in liability for compensation. All rights reserved in the event of the granting of patents, utility models or designs. The product may have been altered since this document was published. We reserve the right to change the technical data, design and scope of supply. The information provided and agreements made when processing the individual quotations and orders are binding. - © Maschinenfabrik Reinhausen GmbH, Contact: [complaint@reinhausen.com](mailto:complaint@reinhausen.com)

# Unpacking instructions DEETAP® DU



Unpacking instructions DEETAP® DU • 3245993/00 EN • F0302000

Dissemination and reproduction of this document and use and disclosure of its content are strictly prohibited unless expressly permitted. Infringements will result in liability for compensation. All rights reserved in the event of the granting of patents, utility models or designs. The product may have been altered since this document was published. We reserve the right to change the technical data, design and scope of supply. The information provided and agreements made when processing the individual quotations and orders are binding. - © Maschinenfabrik Reinhausen GmbH, Contact: [complaint@reinhausen.com](mailto:complaint@reinhausen.com)