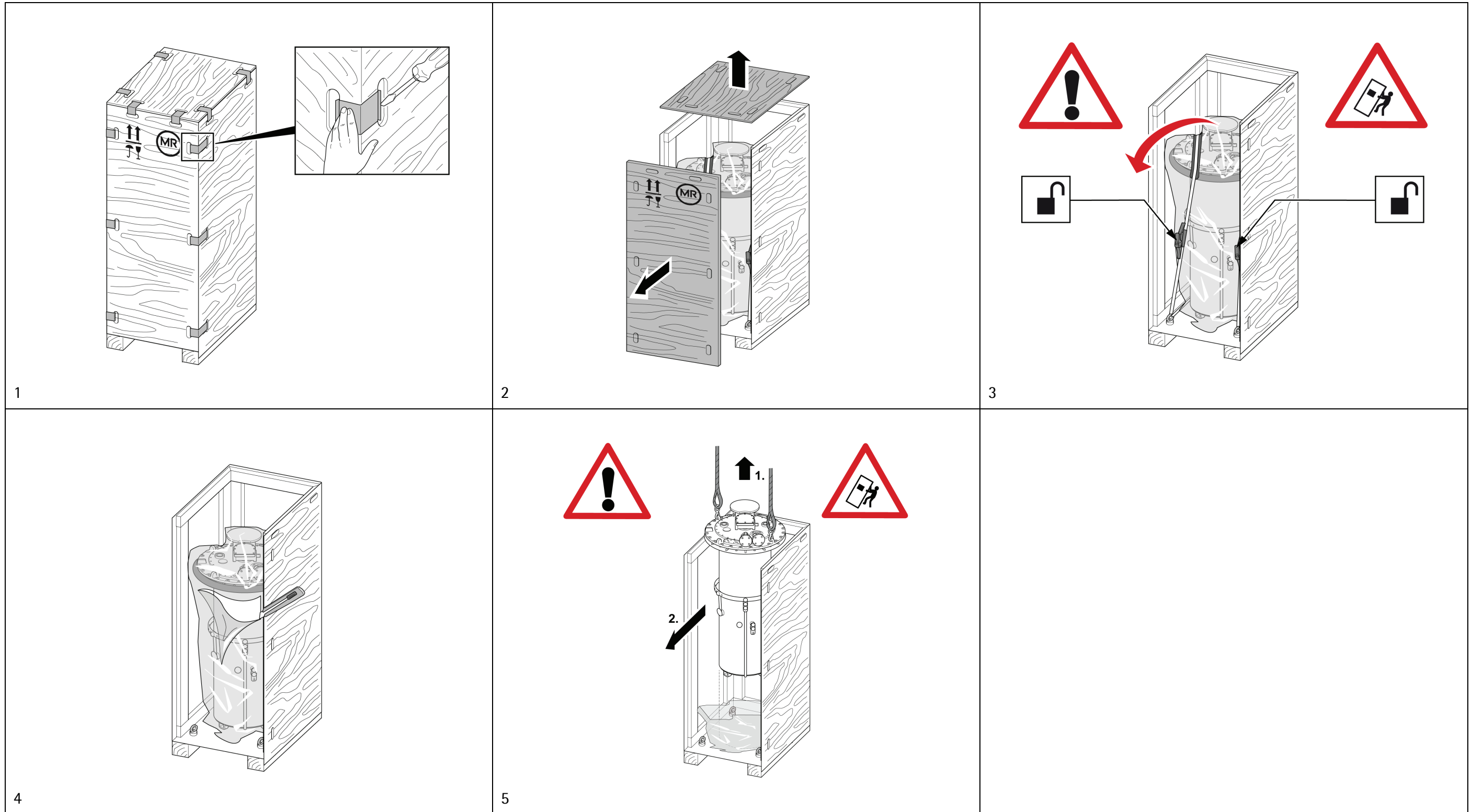


Unpacking Instructions OILTAP® R, RM Oil Compartment



Unpacking Instructions 2317612/01 EN OILTAP® R, RM Oil Compartment

The copying, distribution and utilization of this document as well as the communication of its contents to others without expressed authorization is prohibited. Offenders will be held liable for the payment of damages. All rights reserved in the event of the grant of a patent, utility model or ornamental design registration.
©Maschinenfabrik Reinhausen GmbH 2011