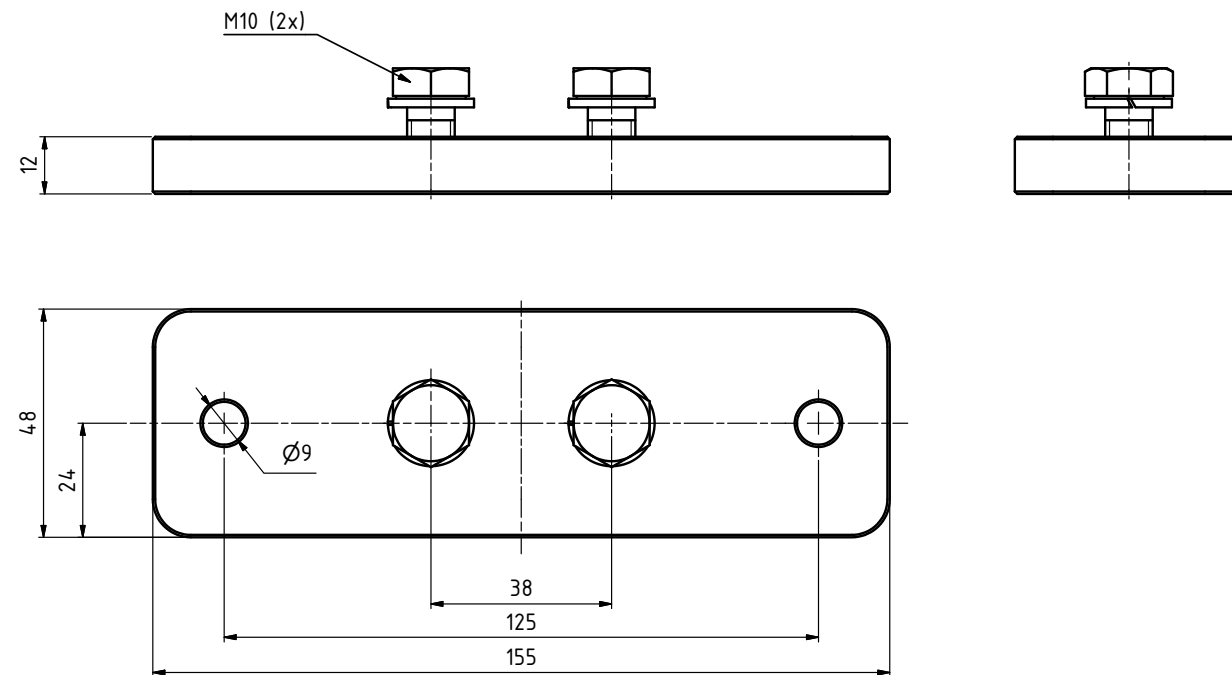
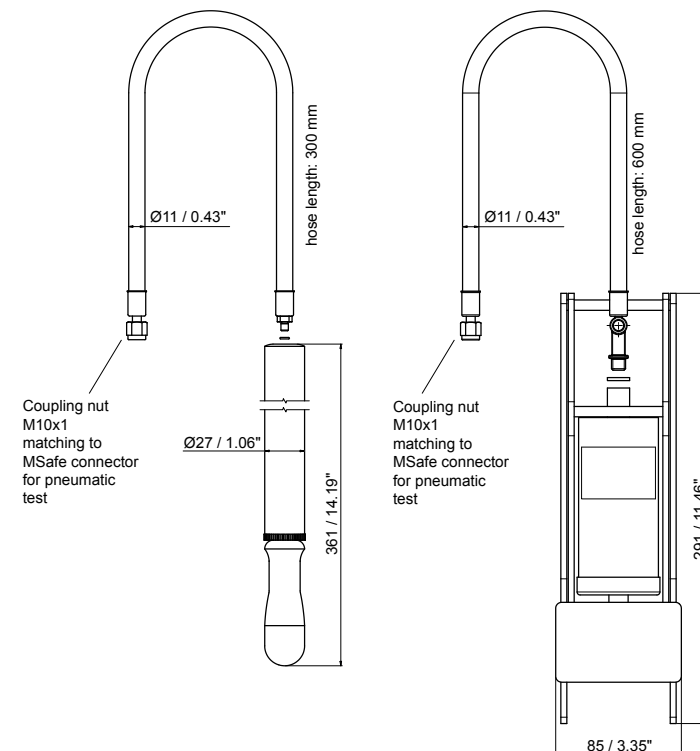




Dimensions gas sampler adapter plate (optional)



Hand and foot pump



MESSKO® MSafe® Accessories

Project/Reference: _____

MESSKO® Gas sampler

- Gas sampler *)
- *) Other versions on request

Color Gas sampler

- RAL 7033
- RAL 7038 (similar ANSI 70 light grey)
- Other colors on request

Accessories Gas sampler

- Adapter plate (refer to page 4)
- PTFE tube (25 m; Ø 6x1 mm) incl. 2 x tubular stiffener Ø 6 mm
- Pipe connector (straight) Ø 6x1 mm
- Hand pump (refer to page 4)
- Foot pump (refer to page 4)

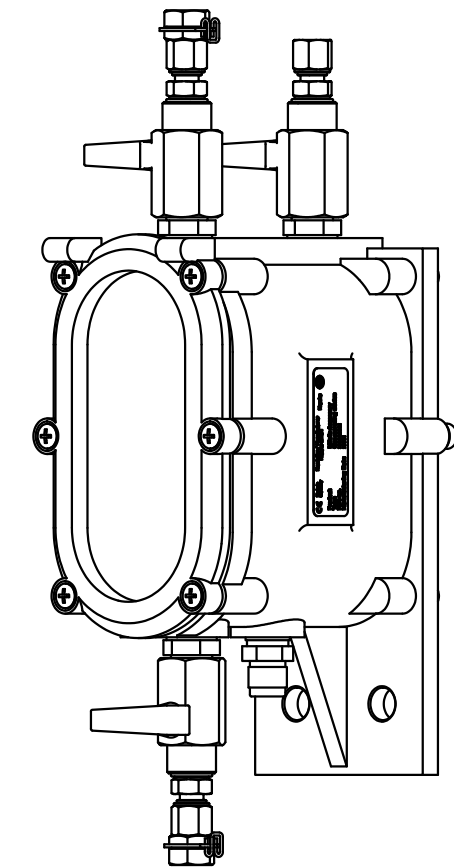
Accessory copper pipe *) (Ø 6x1 mm) for Gas sampler

- 5 m
- 6 m
- 7 m
- 10 m
- 12 m
- 15 m
- 20 m

*) Only in combination with Gas sampler

MESSKO® Gas Quick Test

- MESSKO® Gas Quick Test Set (refer page 2)
- 1 set detector tubes *)
- *) 5 x detector tubes for carbon monoxide
5 x detector tubes for hydrogen



Please remember: The information contained in all our publications may differ in detail from the actual device supplied. Subject to change without prior notice.



Please enclose this order form filled in the order.



MESSKO® Gas sampler	
	Housing
Materials	Aluminium casting, powder coated, RAL 7033 oder 7038; other versions on request
Dimensions (B x H x T)	74 mm x 289 mm x 119 mm
Mounting	2x bore holes for 2 screws (max. M10) or via optional adapter plate
Inspection glass	UV filter glass
Gas withdrawal	Ø 6x1 mm pipe
Oil output	Ø 6x1 mm pipe
	Characteristic data
Viscosity of isolation liquid	< 1100 mm ² /s
Temperature of isolation liquid	-30 to +120° C
Ambient temperature	-50 to +80° C
Weight	1.5 kg

Connecting pipe	
Dimensions of tube	6x1 mm pipe
Tube length	5 m, 6 m, 7 m, 10 m, 12 m, 15 m or 20 m copper pipe or 25 m PTFE pipe

MESSKO® Gas Quick Test Set	
Dimensions (B x H x T)	280 mm x 235 mm x 85 mm
Detector tubes for hydrogen	5 x
Detector tubes for carbon monoxide	5 x

MESSKO® Gas Quick Test Set



- Scope of delivery:**
- Detector tubes for carbon monoxide (5x)
 - Detector tubes for hydrogen (5x)
 - Detection tube cutter
 - Y connector
 - Sealing plug (2x)
 - Operating instructions
 - Transport case

Dimensions MESSKO® Gas sampler

