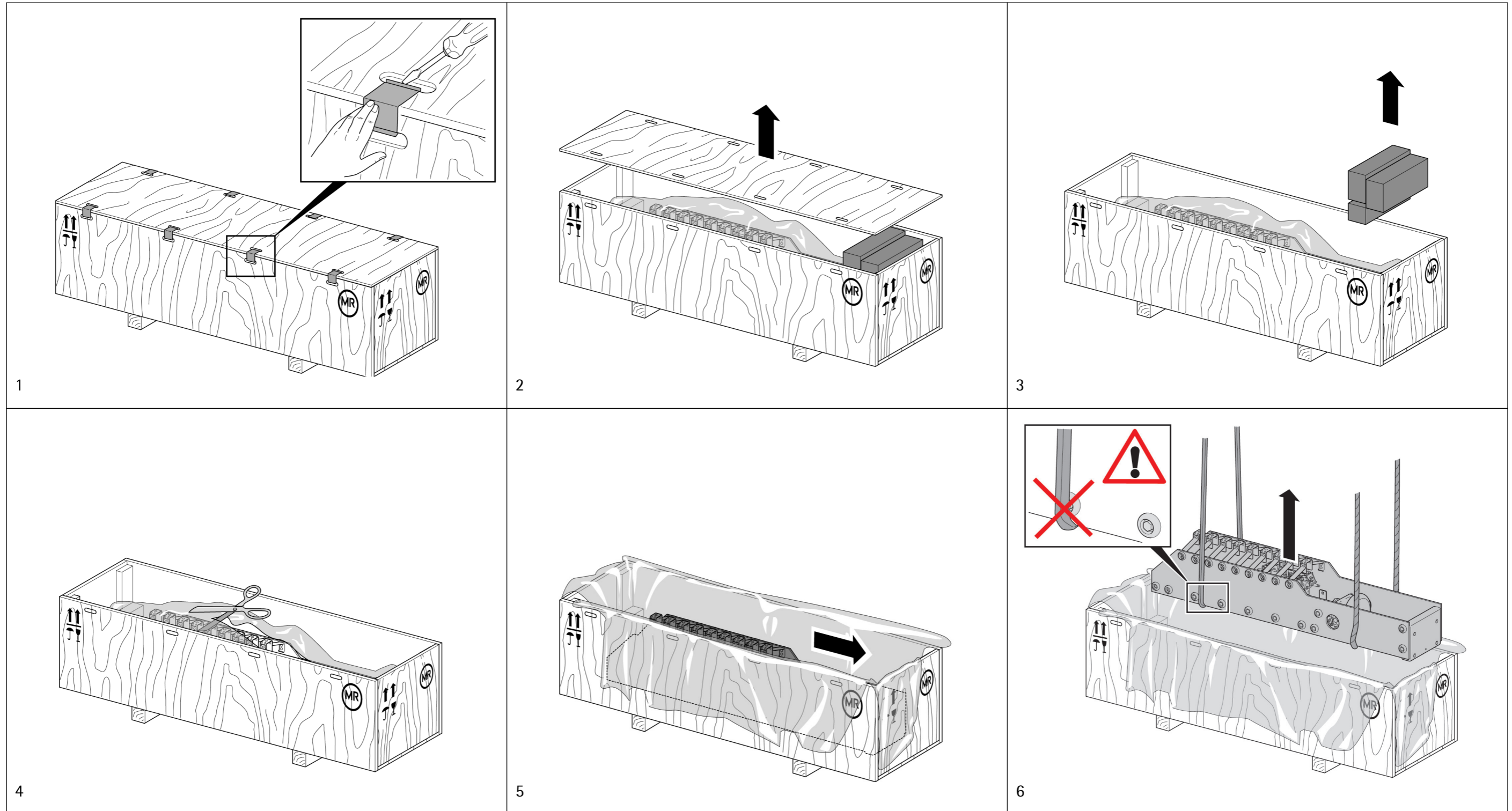


# Unpacking Instructions VACUTAP® VT



## Unpacking Instructions 2547928/00 EN VACUTAP® VT

The copying, distribution and utilization of this document as well as the communication of its contents to others without expressed authorization is prohibited. Offenders will be held liable for the payment of damages. All rights reserved in the event of the grant of a patent, utility model or ornamental design registration.  
©Maschinenfabrik Reinhausen GmbH 2011