



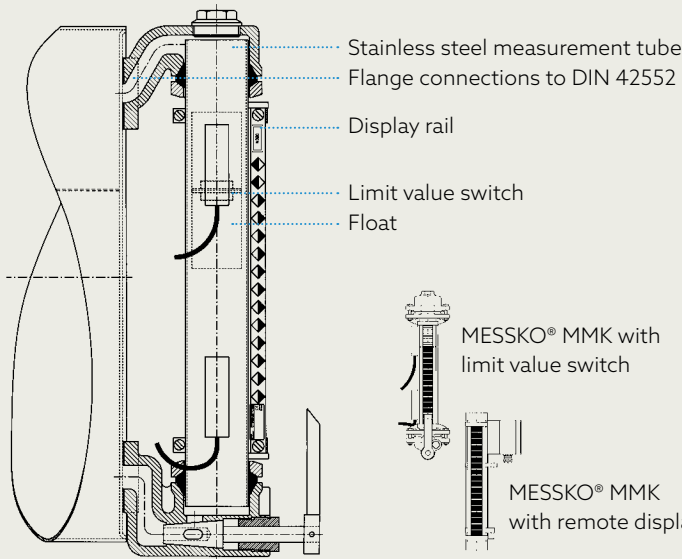
MESSKO® MMK

Magnetic oil level indicators for transformers

reinhausen.com



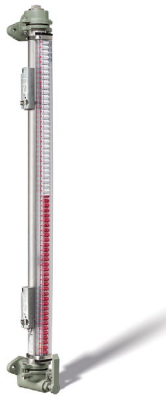
MESKO® MMK – magnetic oil level indicator



Your advantages at a glance

- 1:1 retrofit solution in accordance with DIN 42552 (indicator with oil level tube)
- Works independently without external energy
- Extremely durable and functionally reliable
- Permanently weather-resistant indicator rail
- Scratch-resistant and colorfast material, sight glass with UV filter
- Optional limit switch and / or 4...20 mA analog output available
- Low maintenance

MESKO® MMK	Technical data
Material	
Measurement tube	Stainless steel 1.4571, 40 x 1 mm
Ffloat	BUNA N with fitted permanent magnet
Display rail	Makrolon (polycarbonate), glass clear UV-resistant
Characteristics	
Measurement medium	Mineral oil (alternative liquids on request)
Measurement range	Arbitrary (max. 2 m)
Measurement accuracy	+/- 2 display valves
Operating data	Max. pressure up to 1 bar
Density	Min. 0.7 g/cm ³
Viscosity	Max. 150 cSt (1.5 x 10 ⁻⁴ m ² /s)
Operating temperature	-40 C ...+80° C
Connection	DIN 42552 Form B
Options	Limit value contacts 230 V AC/0.8 A/60 VA/40 W Remote measurement value transfer 4 ... 20 mA



The MESKO® MMK magnetic oil level indicator shows the fill level, without needing a float located in the container. The magnetic level gauge can be easily attached to existing flange connections (1:1 retrofit) in accordance with DIN 42552. A measuring tube is flanged to the container as a replicate container. Inside, there is a cylindrical float with installed permanent magnet. The indicator rail with the magnetic flaps is on the outside of the measuring tube. Depending on the fill level, the float magnet ensures that the magnetic flaps in the indicator rail turn 180°. The display is therefore always easy to read. MESKO® MMK is optionally available with limit switch and/or 4...20 mA.

→ [More information](#)

Contact us at: sales@reinhausen.com