

ORDER FORM NFG-Y

A4 (210x297)

LMT [(0,0) (196,286)]

.DWG

FILE = 3893

REV. 03 DTD 23/08/21

MR si riserva a termini di legge la proprietà del presente disegno con divieto di riproduzione o comunicarlo a terzi senza sua autorizzazione.

Type NFG-Y1 NFG-Y2 NFG-Y3

Gasket type N C G SPECIAL

Wiring diagram C1 C2 D1 D2

Dial type "0" -20/20/85 type "1" 0÷10 type "5" 25° SPECIAL

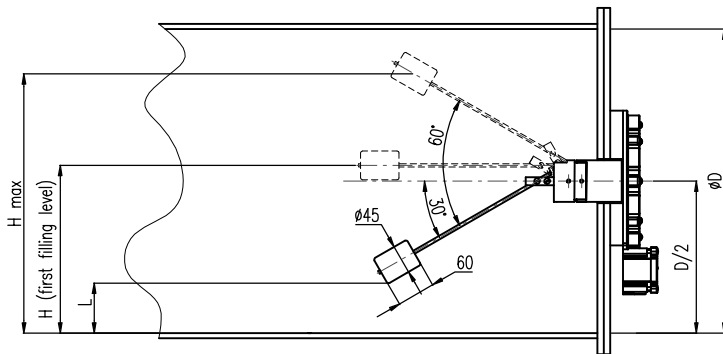
R: L: H: Hmax:

Z*: ØD: A:

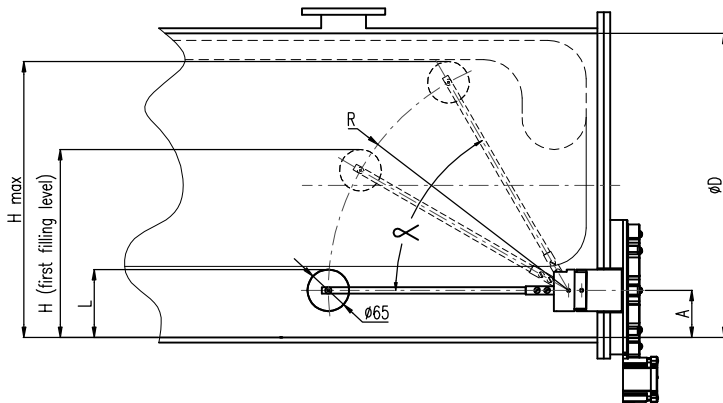
* Dimension to be specified only for executions C & K

Note:

Special request:



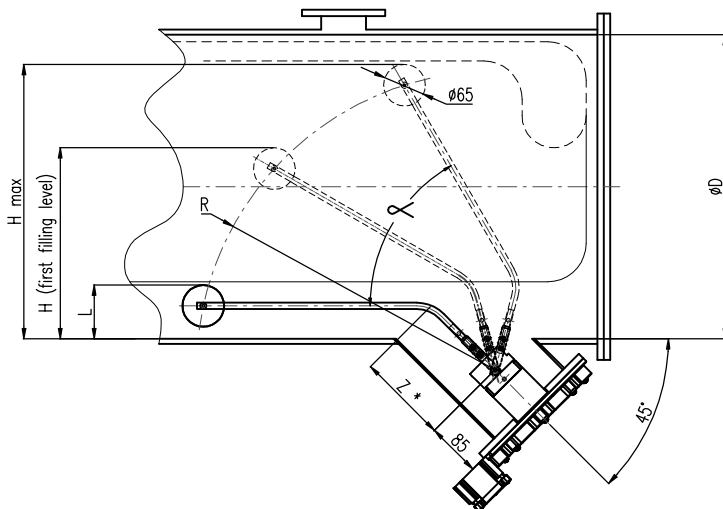
(A) Traditional conservator
Axial float arm
- Float arm acc. to Drg. 5608



(B) Conventional Tau 1:2 $\sphericalangle = 60^\circ$

(H) Tau 1:4 $\sphericalangle = 35^\circ$

- Float arm acc. to Drg. 5607



(C) Conventional Tau 1:2 $\sphericalangle = 60^\circ$

(K) Tau 1:4 $\sphericalangle = 35^\circ$

* Dimension to be specified on order
- Float arm acc. to Drg. 3181



Titolo

Magnetic oil level
indicator NFG-Y

Data 30/09/13

Scala ==

Dis.

Visto

Dis. Nr

3893

1	2	3	
---	---	---	--