

	DATE	NAME	DOCUMENT NO.	
DFTR.	09/02/22	Curti M.	5060	
CHKD.	09/02/22	Giorgi A.	CHANGE NO.	SCALE
STAND.	09/02/22	Giorgi A.	03	1:2

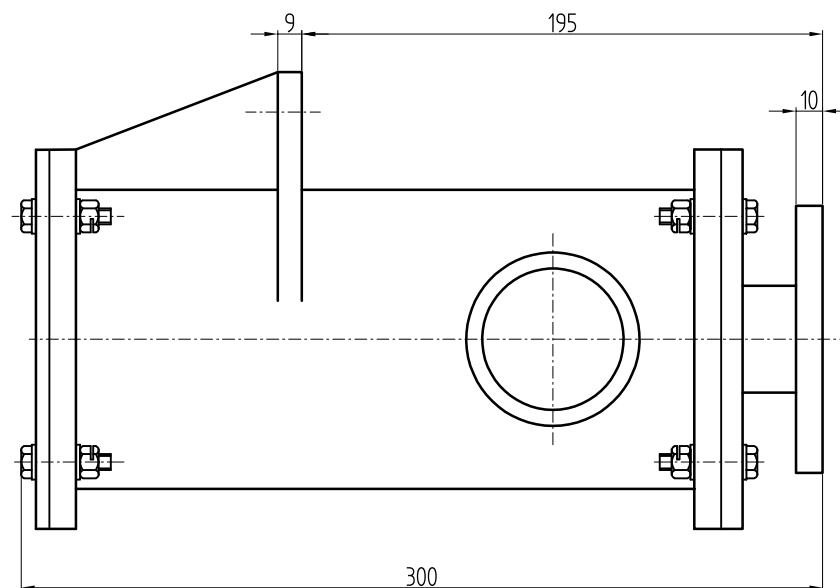
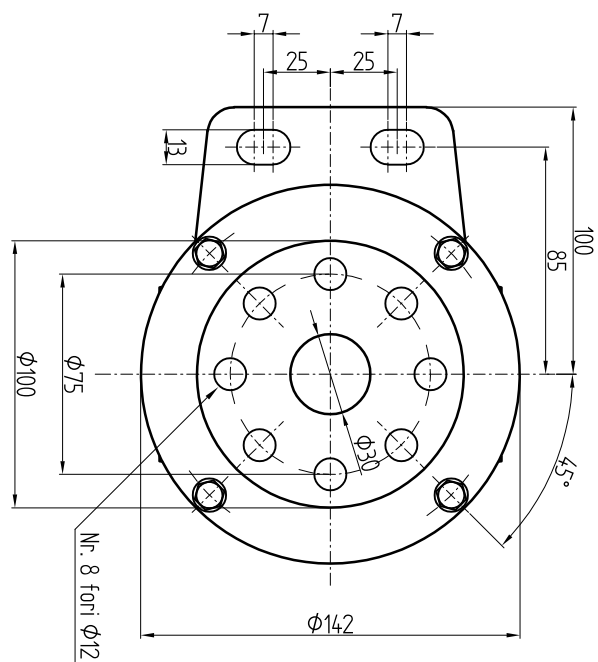
CEDASPE S.r.l. COPYRIGHT RESERVED

THE REPRODUCTION, DISTRIBUTION AND UTILIZATION OF THIS DOCUMENT AS WELL AS THE COMMUNICATION OF ITS CONTENTS TO OTHERS WITHOUT EXPRESS AUTHORIZATION IS PROHIBITED. OFFENDERS WILL BE HELD LIABLE FOR THE PAYMENT OF DAMAGES. ALL RIGHTS RESERVED IN THE EVENT OF THE GRANT OF A PATENT, UTILITY MODEL OR DESIGN.

DIMENSION
IN mm
EXCEPT AS
NOTED



Air breathers ETF-0



SERIAL NUMBER

MATERIAL NUMBER

SHEET

1/1

	DATE	NAME	DOCUMENT NO.	
DFTR.	09/02/22	Curti M.	5061	
CHKD.	09/02/22	Giorgi A.	CHANGE NO.	SCALE
STAND.	09/02/22	Giorgi A.	03	1:2

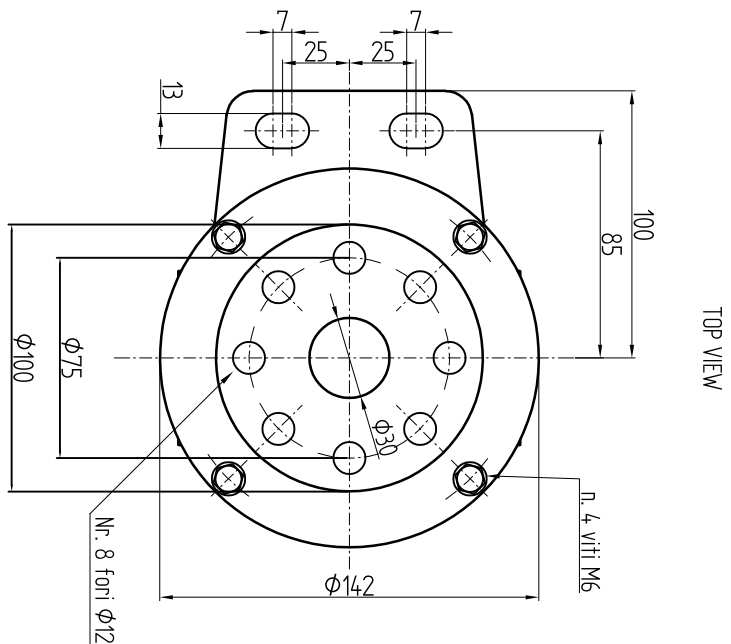
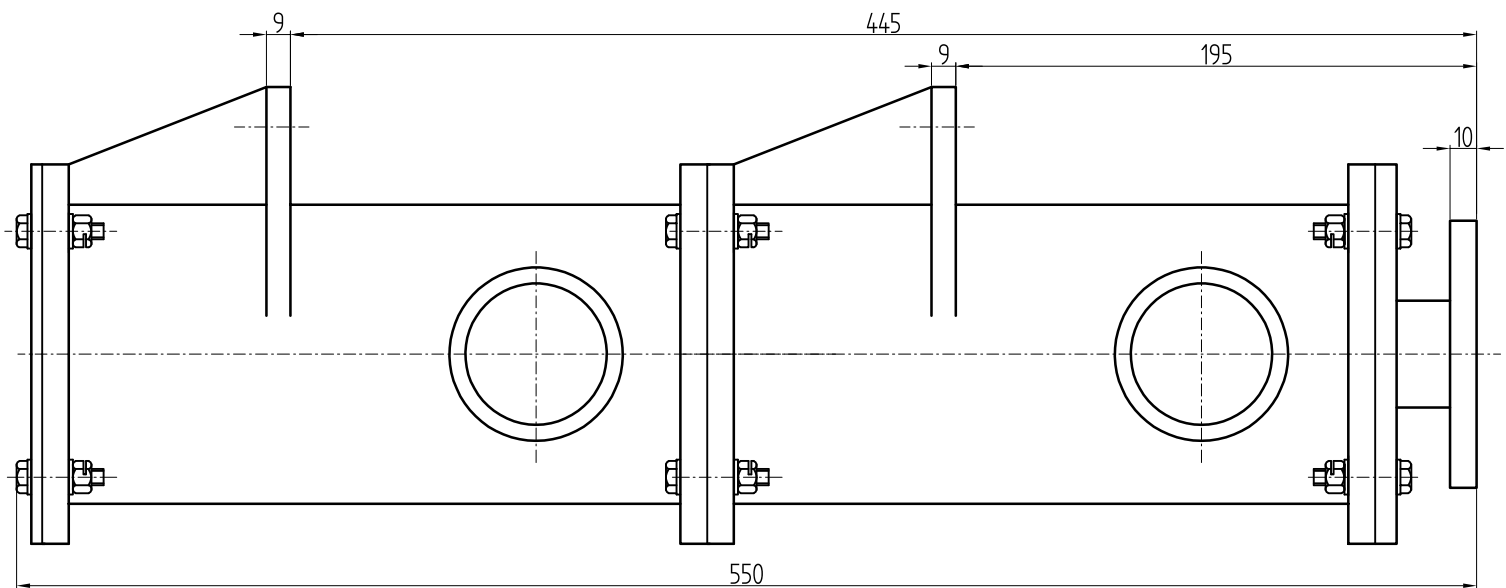
CEDASPE S.r.l. COPYRIGHT RESERVED

THE REPRODUCTION, DISTRIBUTION AND UTILIZATION OF THIS DOCUMENT AS WELL AS THE COMMUNICATION OF ITS CONTENTS TO OTHERS WITHOUT EXPRESS AUTHORIZATION IS PROHIBITED. OFFENDERS WILL BE HELD LIABLE FOR THE PAYMENT OF DAMAGES. ALL RIGHTS RESERVED IN THE EVENT OF THE GRANT OF A PATENT, UTILITY MODEL OR DESIGN.

DIMENSION
IN mm
EXCEPT AS
NOTED



Air breather ETF-1



SERIAL NUMBER

SHEET

1/1