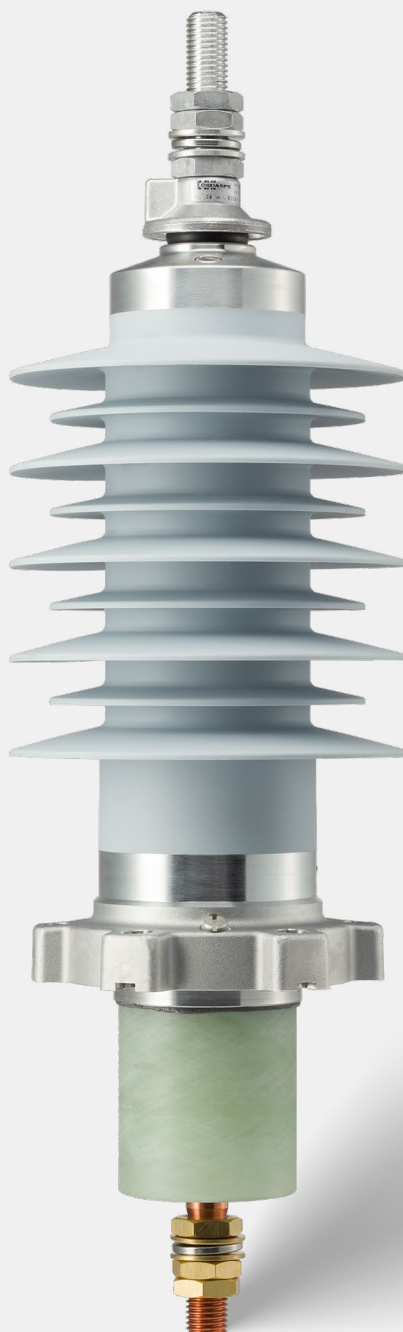


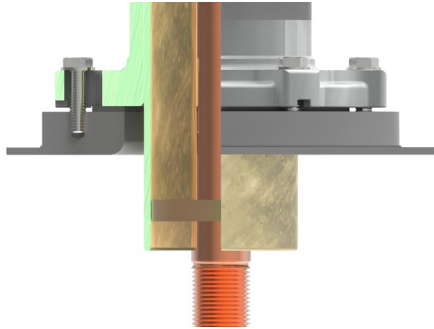


SBC 12-36 kV 630A and 1250 A

—
New flange B and flange C models – Your advantage for distribution transformers



Compact design – reliable and easy to install



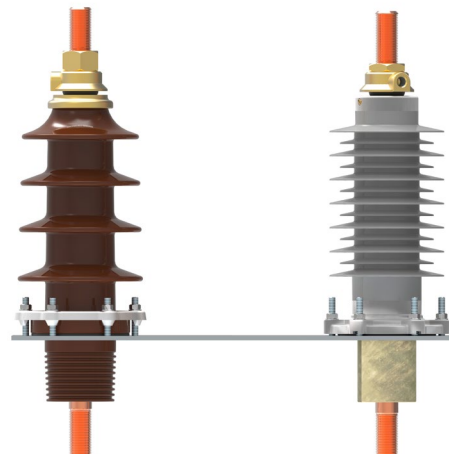
Your advantages and technical features

- Long service life
- Different configurations available
- Low weight
- High quality certified materials
- Suitable for different insulation liquids and temperatures
- Easy to install
- Low maintenance cost
- Low partial discharges <10 pC

The SBC 12-36 kV 630A flange B and 1250A flange C are our brand new bushings that bring SBC technology to the distribution transformer market and complete our polymeric bushings portfolio.

They feature the following characteristics:

- Direct mounting interchangeability with the 630A flange "B" EN / DIN 42532 or 1250A flange "C" EN / DIN 42533 porcelain bushings
- They provide advantages in terms of size reduction over the current available solutions involving the "D" type flange
- From an engineering and construction standpoint, the new 630A/1250A series has identical features and properties to the 2000A, 3150A and 4500A models



Technical data									
Rated voltage (kV)	Rated current (A)	PF (kV)	BIL (kV)	CD (mm)	Arcing distance (mm)	Flange type	Weight (kg)	Pollution level	
12	630	30	75	500	210	B	8	P4	e
12	1250	30	75	500	210	C	12	P4	e
24	630	55	125 (150)	828	295	B	9	P4	e
24	1250	55	125 (150)	828	295	C	13	P4	e
36	630	77	170 (200)	1180	385	B	10	P4	e
36	1250	77	170 (200)	1180	385	C	15	P4	e

→ [More information](#)

Contact us at: sales@reinhausen.com