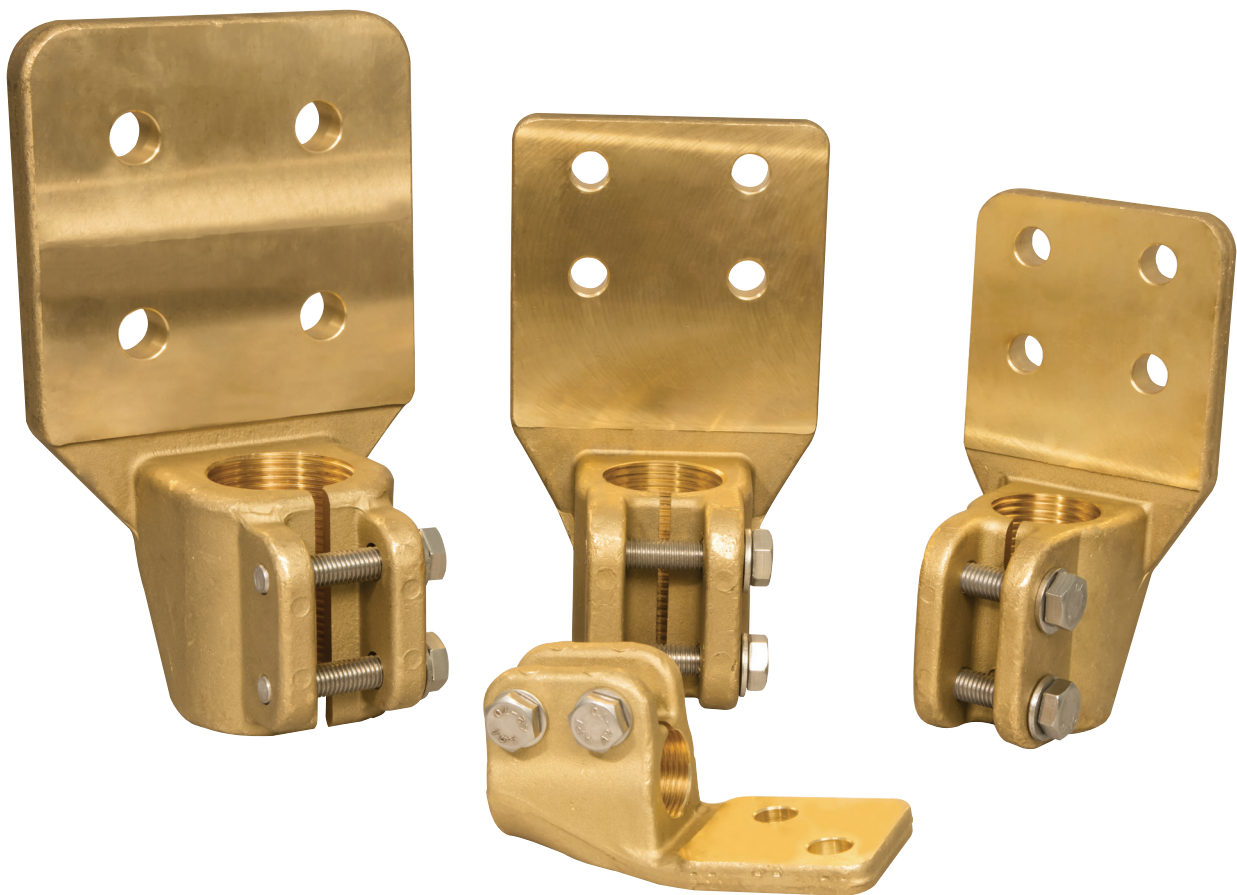


FLAGS FOR LOW CURRENT BUSHINGS (< 5000 A)



FLAG CONNECTORS

CEDASPE manufacturing program include a wide range of connecting flags.

This catalogue shows the most common types (mainly acc to DIN standard and UNEL standard); it is possible to make also special flags according to customer drawing (please contact our technical department).

Material used for our flags is brass hot forged or casted (depending on size); for high current flags (above 8000A) casted bronze 88-9-3 silverplated; on demand other materials can be used (ie copper or aluminium), our technical department will be at your disposal to make the best choice

Unless by special request, all active metallic parts in brass and copper have self colour surfaces.

Upon request, particularly for use in highly polluted environment conditions or in tropical climate, flags can be supplied with electrolytic tinplated surfaces with 6-8 micron average coating thickness.

Below table shows tightening torque to be applied on the locking bolts of the flags

Size	Torque
M10	25 Nm
M12	40 Nm
M16	90 Nm

NOTE : suggested value +/-10%

In following pages are shown the most common types

Page 4.2: Flags EP - FP DIN 43675 from 1000 to 31500 A

Flags 1000-2000-3150 UNEL 38137-67

Flags 2000-3150A NEMA

Flags FP 4500-6300 A Special

Page 4.3: Flags ER - FR DIN 43675 from 1000 to 4500 A

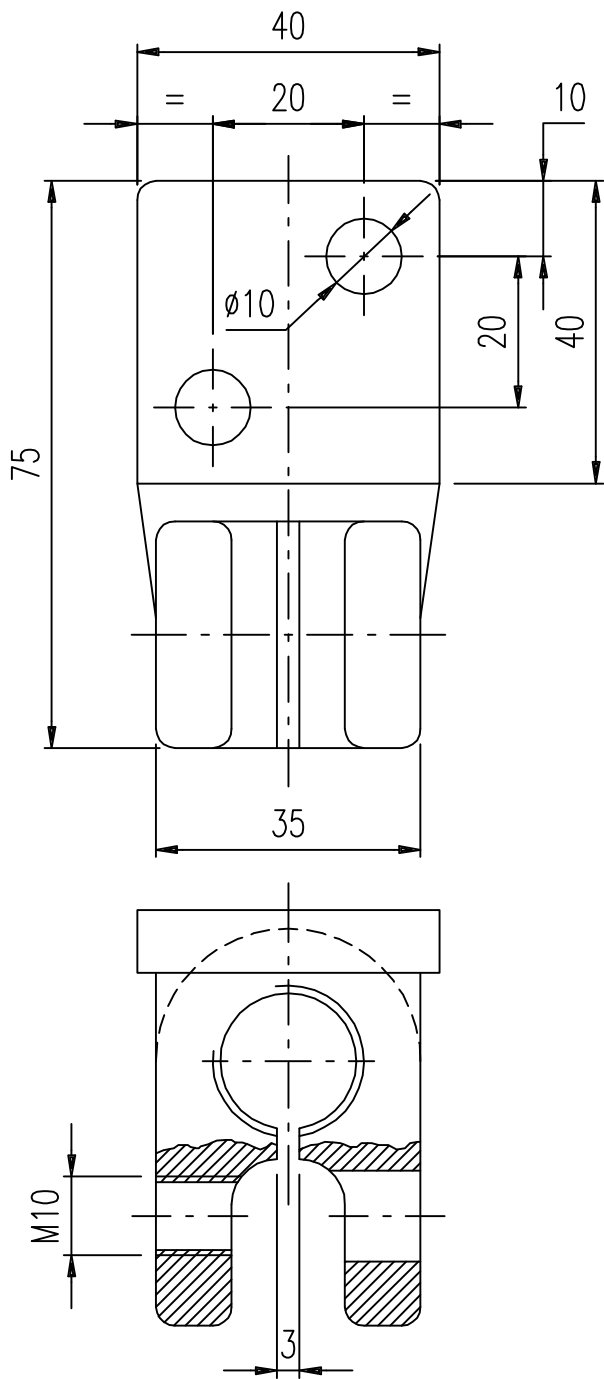
Page 4.4: Flags 250 & 630 A – different styles

Page 4.5: Ansi clamp, with eye bolt and special flags

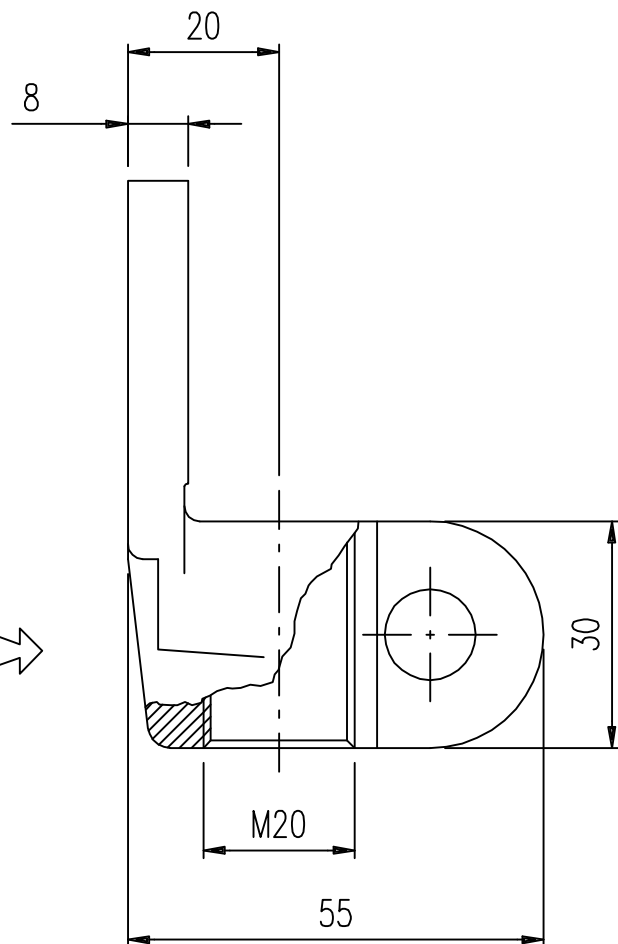
Page 4.7: Flags TP - GPL DIN 43675 from 6300 to 12500 A



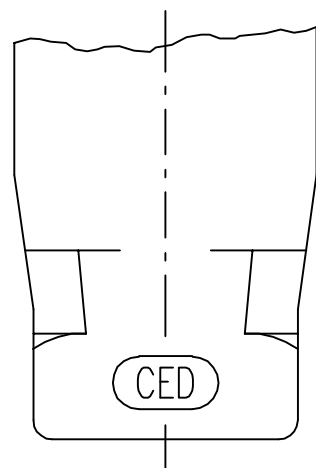
La CEDASPE S.p.A. si riserva a termini di legge la proprietà del presente disegno con divieto di riprodurlo o comunicarlo a terzi senza sua autorizzazione.



A →

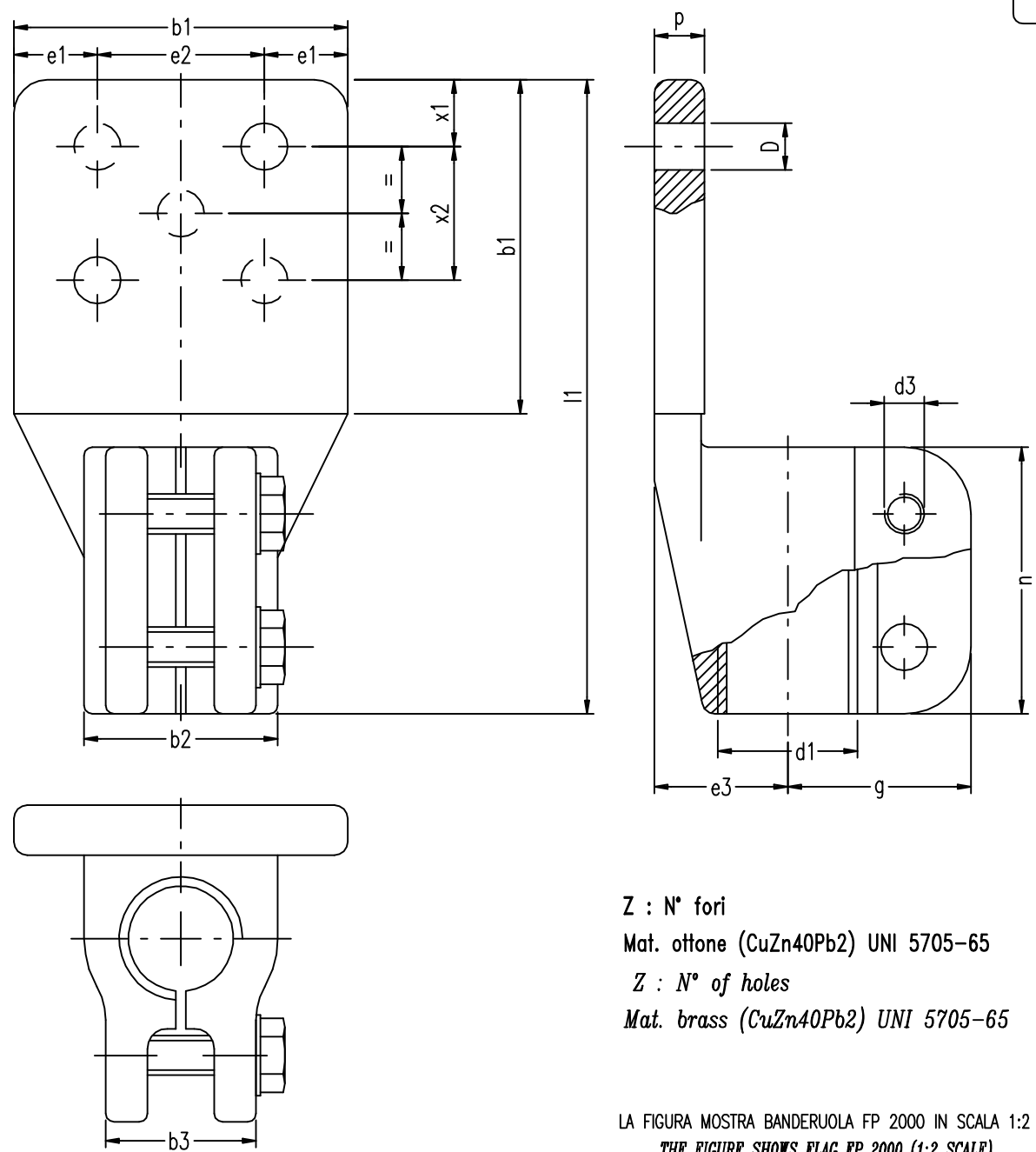


Vista A



			Finitura Sabbatura		TOLLERANZA GENERALE UNI-ISO 2768	
			Trattamento		Qualità = f <input type="checkbox"/> m <input checked="" type="checkbox"/> c <input type="checkbox"/>	
2	18/10/11	Agg. disegno	Materiale Unific. Design.	P Cu Zn40 Pb2 UNI 5705	Assieme =	
1	04/05/98	Rifatto disegno	Peso Grezzo	0.416 kg	Codice grezzo = STOTGV11039	
Ind.	Data	Modifica	Peso Finito	kg	Codice = FA0630DVF1	
			Titolo		Data 31/05/96	
			Banderuola DP 630A M20		Scala 1:1	
			piano con foratura UNEL		Dis.	
					Visto	
					Dis. Nr	
					2279	
					1 2	

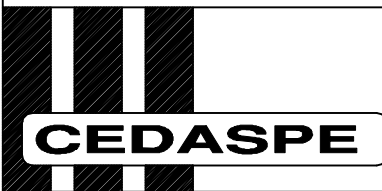
FILE = 3786 .DWG
 LMT [(0,0) (196,286)]
 AA (210x297)
 REV. 01 DTD 27/11/14
 La CEDASPE S.p.A. si riserva a termini di legge la proprietà del presente disegno con divieto di riproduzione o comunicazione a terzi senza sua autorizzazione.



Z : N° fori
 Mat. ottone (CuZn40Pb2) UNI 5705-65
 Z : N° of holes
 Mat. brass (CuZn40Pb2) UNI 5705-65

LA FIGURA MOSTRA BANDERUOLA FP 2000 IN SCALA 1:2
 THE FIGURE SHOWS FLAG FP 2000 (1:2 SCALE)

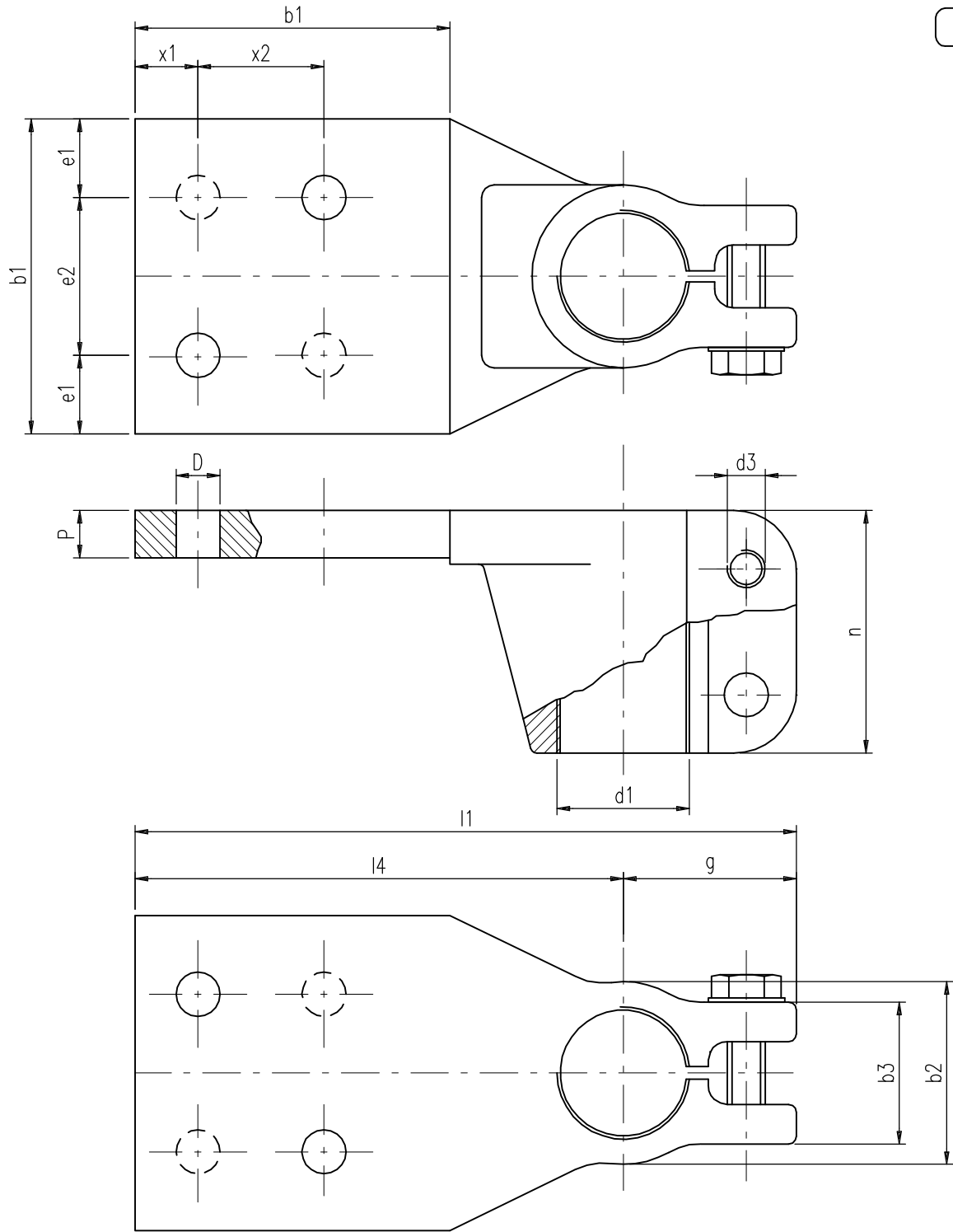
Tipo Type	Corrente Current A	b1 mm	b2 mm	b3 mm	d1	d3	e1 mm	e2 mm	e3 mm	g mm	l1 mm	n mm	p mm	x1 mm	x2 mm	Z	D ø	NOTA Note	Codice Code
EP 1000	1000	60	45	36	M30x2	M10	17	26	28	40	130	60	10	17	26	2	14	Acc. to DIN 43675	BA1000DV10
FP 2000	2000	100	58	45	M42x3	M12	25	50	40	55	190	80	15	20	40	4	14	Acc. to DIN 43675	BA2000DV10
FP 3150	3150	120	68	58	M48x3	M12	30	60	45	55	210	80	15	20	40	4	14	Acc. to DIN 43675	BA3150DV10
FP 4500	4500	150	80	58	M55x3	M12	40	70	55	60	246	90	20	40	70	4	18	Special	BA4500UV10
FP 6300	6300	200	105	62	ø71	M12	40	120	65	70	310	100	20	40	120	5	18	Special	BA6300UVF0
FL M20 NEMA	630	100	43.5	43.5	M20	M12	27.7	44.5	30	40	168	58	12	27.7	44.5	4	14	Special NEMA pads NEW	BA0630FL01
FL M30 NEMA	1250	100	43.5	43.5	M30x2	M12	27.7	44.5	30	40	168	58	12	27.7	44.5	4	14	Special NEMA pads NEW	BA1000FL01
FP M42 NEMA	2000	100	58	45	M42x3	M12	27.7	44.5	40	55	190	80	15	27.7	44.5	4	14	Special NEMA pads	BA2000DV12
FP 1*1/2 UNF NEMA	2000	100	58	45	1*1/2 UNF(12tp)	M12	27.7	44.5	40	55	190	80	15	27.7	44.5	4	14	Special NEMA pads	BA2000DV14
FP M48 NEMA	3150	120	68	58	M48x3	M12	37.7	44.5	45	55	210	80	15	37.7	44.5	4	14	Special NEMA pads	BA3150DV12
UNEL 1000 A	1000	60	44	44	M30x2	M12	14	32	30	40	130	60	12	14	32	4	14	Acc. to UNEL 38137-67	BA1000UV10
UNEL 2000 A	2000	100	58	58	M42x3	M12	25	50	45	55	195	80	20	25	50	4	18	Acc. to UNEL 38137-67	BA2000UV10
UNEL 3150 A	3150	120	68	58	M48x3	M12	30	60	50	55	210	80	20	30	60	4	18	Acc. to UNEL 38137-67	BA3150UV10



Titolo
**VERTICAL
 FLAGS**

Data 11/03/13
 Scala 1:2
 Dis.
 Visto

Dis. Nr
3786



Z : N° fori

Z : N° of holes

Mat. ottone (CuZn40Pb2) UNI 5705-65

Mat. brass (CuZn40Pb2) UNI 5705-65

Tipo Type	Corrente Current A	b1 mm	b2 mm	b3 mm	d1	d3	e1 mm	e2 mm	g mm	l1 mm	l4 mm	n mm	P mm	x1 mm	x2 mm	Z	D φ	NOTA Note
ER 1000	1000	60	45	36	M30X2	M10	17	26	40	135	95	60	10	17	26	2	14	Acc. to DIN 43675
FR 2000	2000	100	58	45	M42X3	M12	25	50	55	210	155	80	15	20	40	4	14	Acc. to DIN 43675
FR 3150	3150	120	68	58	M48X3	M12	30	60	55	230	175	80	15	20	40	4	14	Acc. to DIN 43675
FR 4500	4500	150	80	80	M55X3	M12	40	70	60	267	205	90	20	40	70	4	18	Special

LA FIGURA MOSTRA BANDERUOLA FR 2000 IN SCALA 1:2

THE FIGURE SHOWS FLAG FR 2000 (1:2 SCALE)

CEDASPE

Titolo
HORIZONTAL FLAGS
ER - FR

Data 11/03/13

Scala 1:2

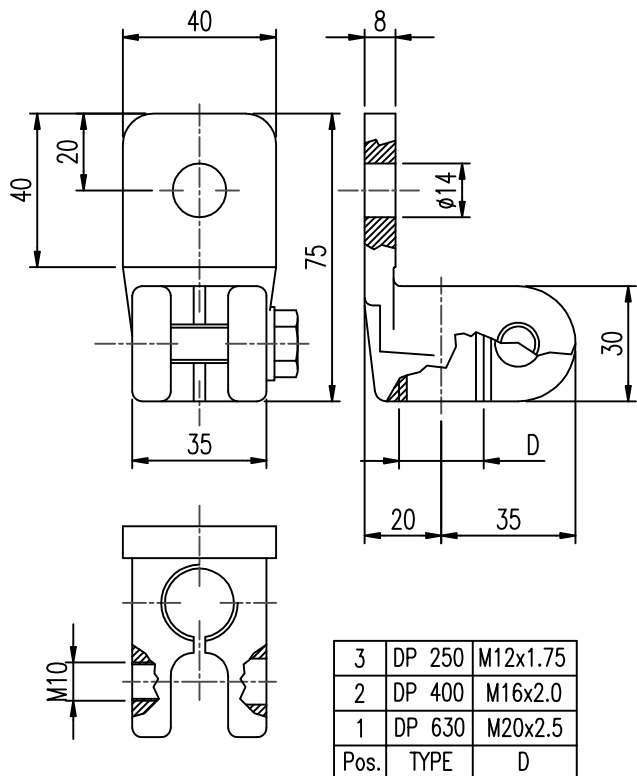
Dis.

Visto

Dis. Nr

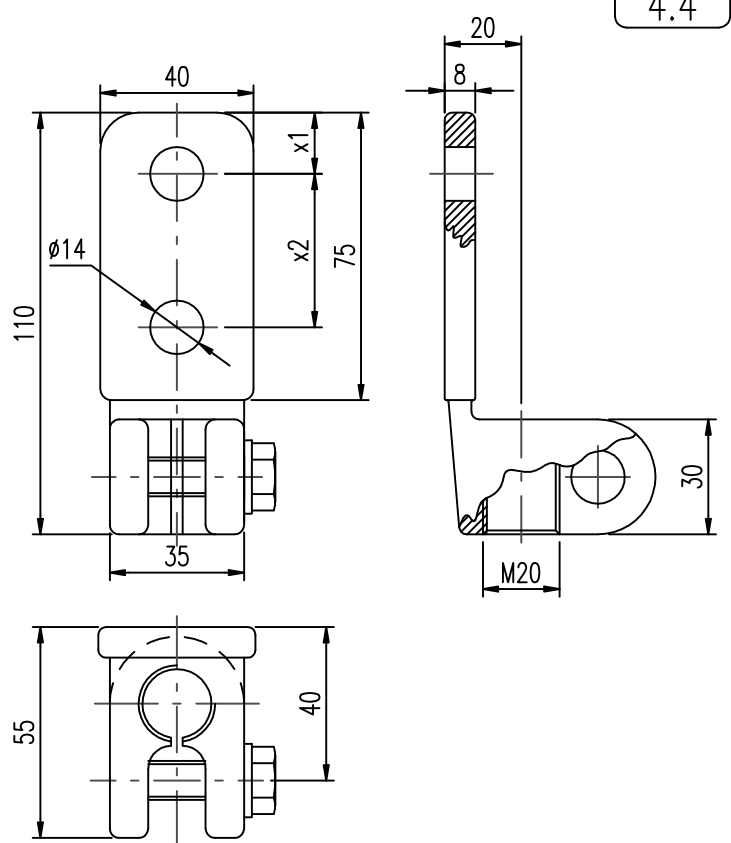
3787

1



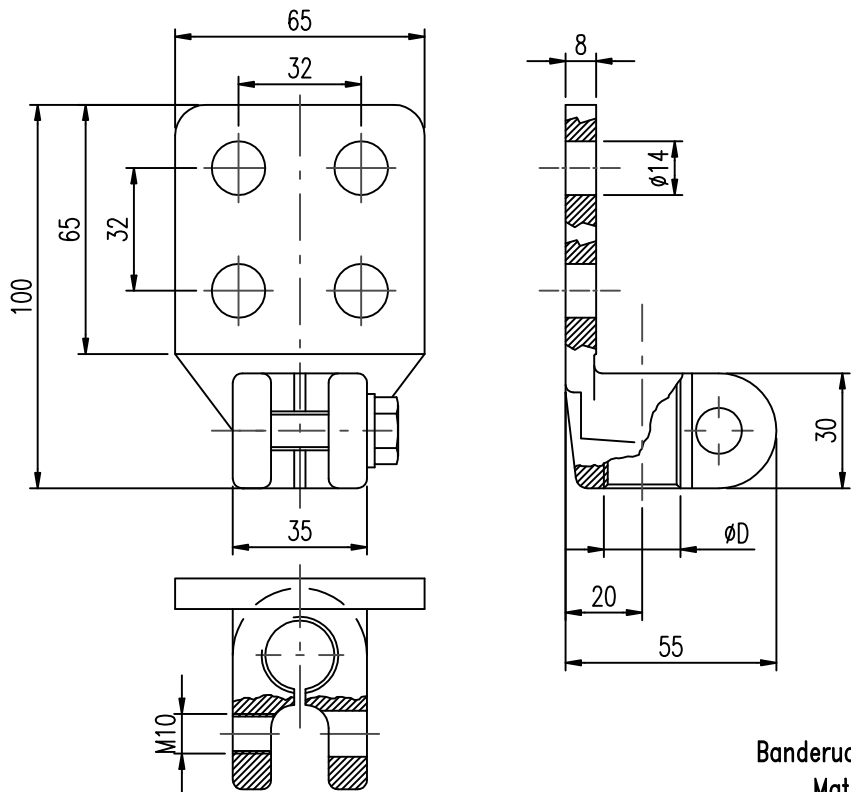
3	DP 250	M12x1.75
2	DP 400	M16x2.0
1	DP 630	M20x2.5
Pos.	TYPE	D

Bandaruola/Brass flag DIN 43675 "DP"
 Mat. ottone (CuZn40Pb2) UNI 5705-65
 brass (CuZn40Pb2) UNI 5705-65



5	DP 630/F2	16	40	BA0630SPC1
4	DP 630/PL	18	36	BA0630PLN1
Pos.	TYPE	X1	X2	CODE

4.4



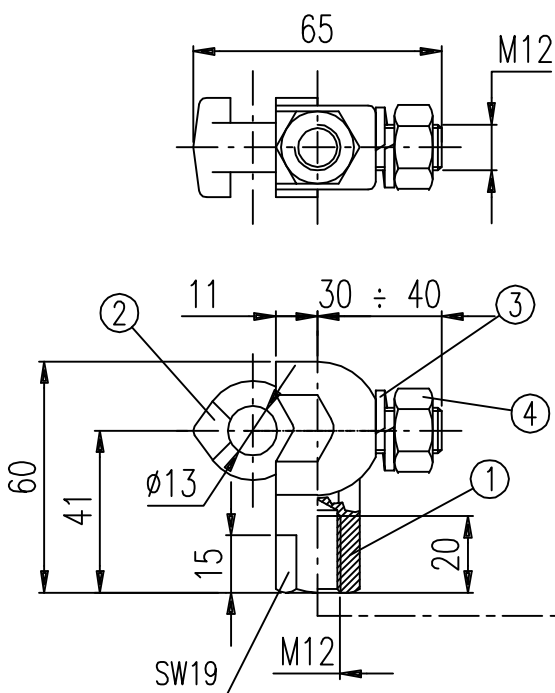
7	DP/LK 250	M12
6	DP/LK 630	M20
Pos.	TYPE	D

Bandaruola/Brass flag DIN 43675 (modified) "DP-LK"
 Mat. ottone (CuZn40Pb2) UNI 5705-65
 brass (CuZn40Pb2) UNI 5705-65

Fig. A

**ANSI CLAMP M12
 WITH EYE BOLT**

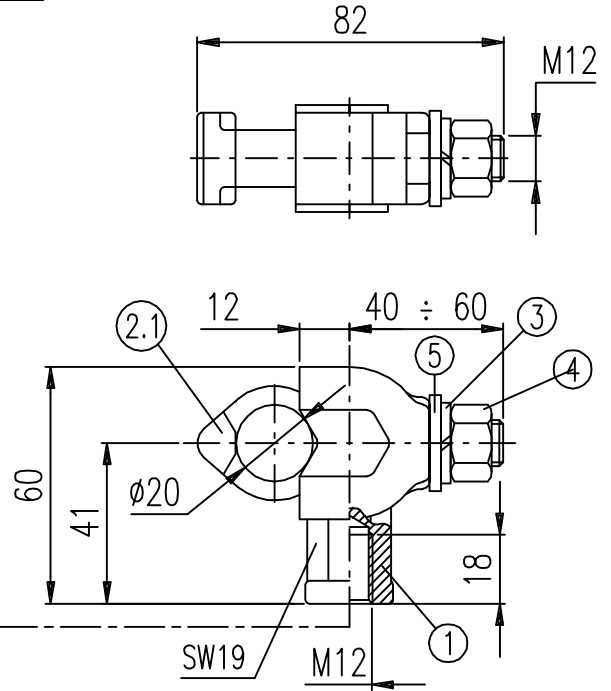
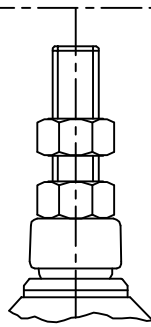
4.5



Part. N°: BA0250EB12

Schema
 montaggio

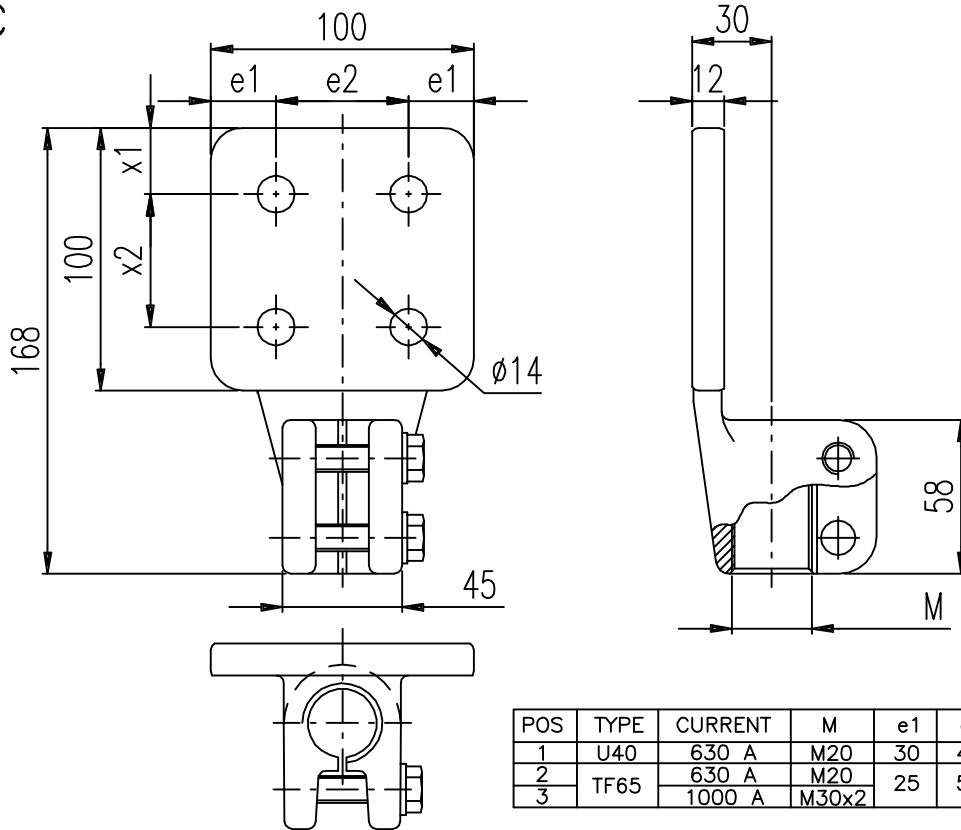
Assembly
 scheme



Part. N°: BA0250EB20

POS	DESCRIPTION	MATERIAL
1	ANSI CLAMP M12	BRASS
2	EYE BOLT M12	BRASS
2.1	EYE BOLT M20	BRASS
3	SPRING WASHER	S/STEEL
4	NUT M12	BRASS
5	WASHER φ13	S/STEEL

Fig. C



POS	TYPE	CURRENT	M	e1	e2	x1	x2	CODE
1	U40	630 A	M20	30	40	25	40	BA0630UR40
2	TF65	630 A	M20	25	50	25	50	BA0630UR50
3		1000 A	M30x2					BA1000UR50

CEDASPE

Titolo

A) ANSI CLAMP M12
 WITH EYE BOLT
 C) Flag "TF65 & U40"

Data 11/03/13

Scala 1:2

Dis.

Visto

Dis. Nr

3789

1