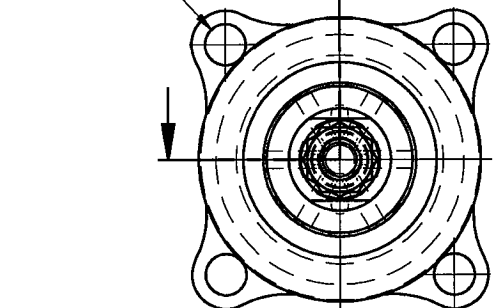


4 HOLES 12φ EQUI-SPACED ON A 95PCD



Mounting hole size = 60
Welded studs M10x60 (not supplied)

- Notes :-
1. Creepage 102 /185
 2. Specification - EN60137 / BS2562:1979 & EN50336
 3. Standard Bill - 75kVp
 4. Items 6 & 7 are screwed and sweated together
 5. If anti rotation stems are required please add letter X to the assembly No CB80501X.
 6. Approximate bushing weight - 2.4kg

Item No	Part No	Quantity	Description	Material
1	CBP0009	1	Porcelain	Porcelain
2	GAS0001	2	Flange gasket	SCC1120
3	GAS0002	1	End gasket	SCC1120
4	GAS0003	1	End gasket	Presspahn
5	PBC0001	1	Bushing clamp	Mazak
6	CBE0001	1	Fixed contact	Brass
7	STM0026	1	Stem	Brass
8	ECA0001	1	End cap	Brass
9	M12CN	6	Contact nut	Brass
10	M12washer	3	Washer	Brass

BTRAC LTD		NAME	DATE
BRITISH TRANSFORMER COMPONENTS		DSF	24/03/2009
TITLE		ENG APPR	
INDOOR IMMERSED CABLE BOX BUSHING		UNLESS OTHERWISE SPECIFIED	
FOR USE UP TO 12kV 250A		DIMENSIONS ARE IN MILLIMETERS	
SIZE	DWG NO	TOLERANCES UNLESS OTHERWISE STATED	
A3	CB80501	UN-MACHINED CASTINGS +-2	
REV	0	UN-MACHINED STAMPINGS +-1	
FILE NAME: CB80501.dft		CUT-OFF LENGTHS +-1	
SCALE: 1:15		MACHINED DIMENSIONS +-0.2	
WEIGHT: 2400g		FABRICATION DIMENSIONS +-3	

REVISION NOTES