

# Compact Series – Universal Retrofit Kit

Oil and Winding Temperature Gauge for Power Transformers



Messko











Installation diagram

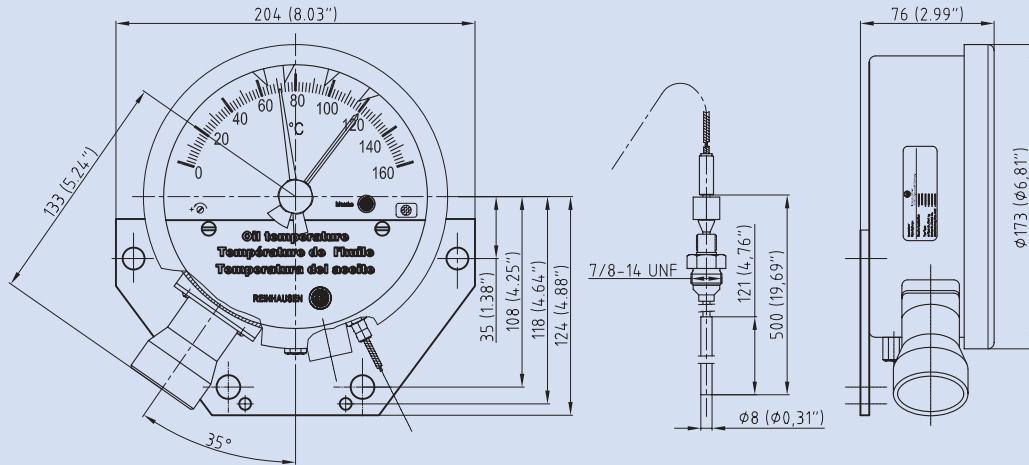


Fig. 4

Mounting plate

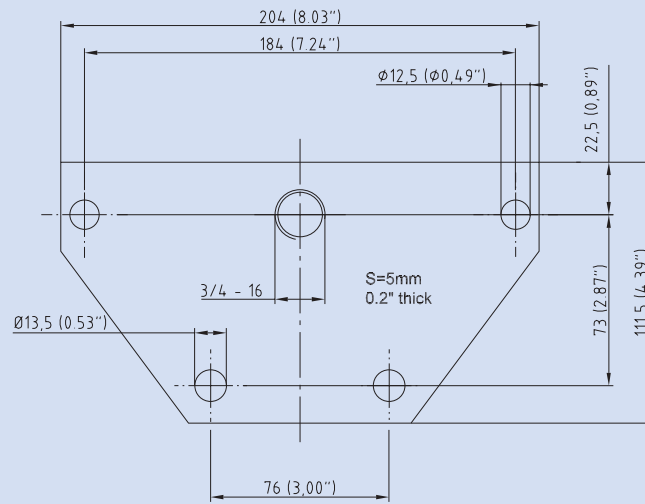


Fig. 5

Adapting sleeve

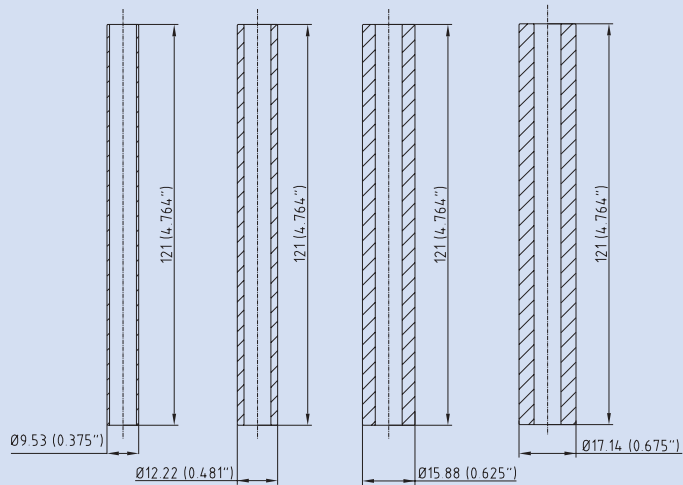


Fig. 6

Mounting-Kit for mounting plate (optional)

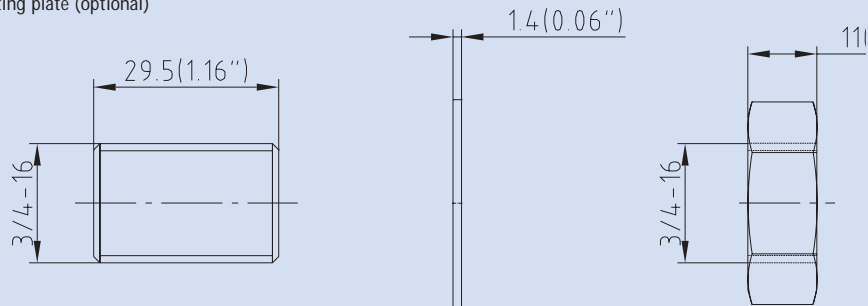


Fig. 7

Technical data	
	<b>MT-STR160(TT)</b>
<b>Housing (standard)</b>	Galvanized sheet steel, powder coating RAL 7038 similar to ANSI 70 light grey
<b>Mounting plate</b>	Aluminum, painted RAL 7038
<b>Viewing glass</b>	Laminated safety glass with UV protection
<b>Temperature sensor</b>	Brass, bright
<b>Capillary tube</b>	Copper capillary tube with sheath
<b>Measuring range</b>	0...160° C
<b>Tolerance</b>	± 3°C according to EN 13190 class 1 and DIN 16196
<b>Ambient temperature</b>	- 50° to + 80° C
<b>Degree of protection</b>	IP55 (according to IEC 60529), similar to NEMA 4X These instruments are ventilated to avoid formation of condensation water
<b>Location</b>	Indoor and outdoor, also in harsh climate conditions
<b>Ventilation</b>	Ventilation unit, no condensation up to 80% humidity
<b>Maximum pointer</b>	resetable
	<b>Analog output (option)</b>
<b>Sensor</b>	Thin film load cell
<b>Electrical connection</b>	1/2 - 14 NPT conduit
<b>Supply voltage</b>	DC 12-30 V unregulated maximum 10 % residual ripple
<b>Output signal</b>	4 ... 20 mA ; two wire system protected against reverse polarity
<b>Maximum load</b>	750 Ω at Ub = 24 VDC
<b>Repeat accuracy</b>	± 0,1 % at the maximum value

You may also contact:

Reinhausen Manufacturing Inc.  
 2549 North 9th Avenue • Humboldt • TN 38343 • USA  
 Phone (+1)731-784-7681 • Fax (+1)731-784-7682  
 www.reinhausen.com/rm/en • reinhausen@bestlinc.com

Please note: Certain aspects of the equipment delivered may differ from the information given in any of our publications. Subject to change without prior notice.  
 IN2100/00/01 • 0408/500 • Art.no. 990454  
 Printed in Germany • Messko/Usa

Messko

